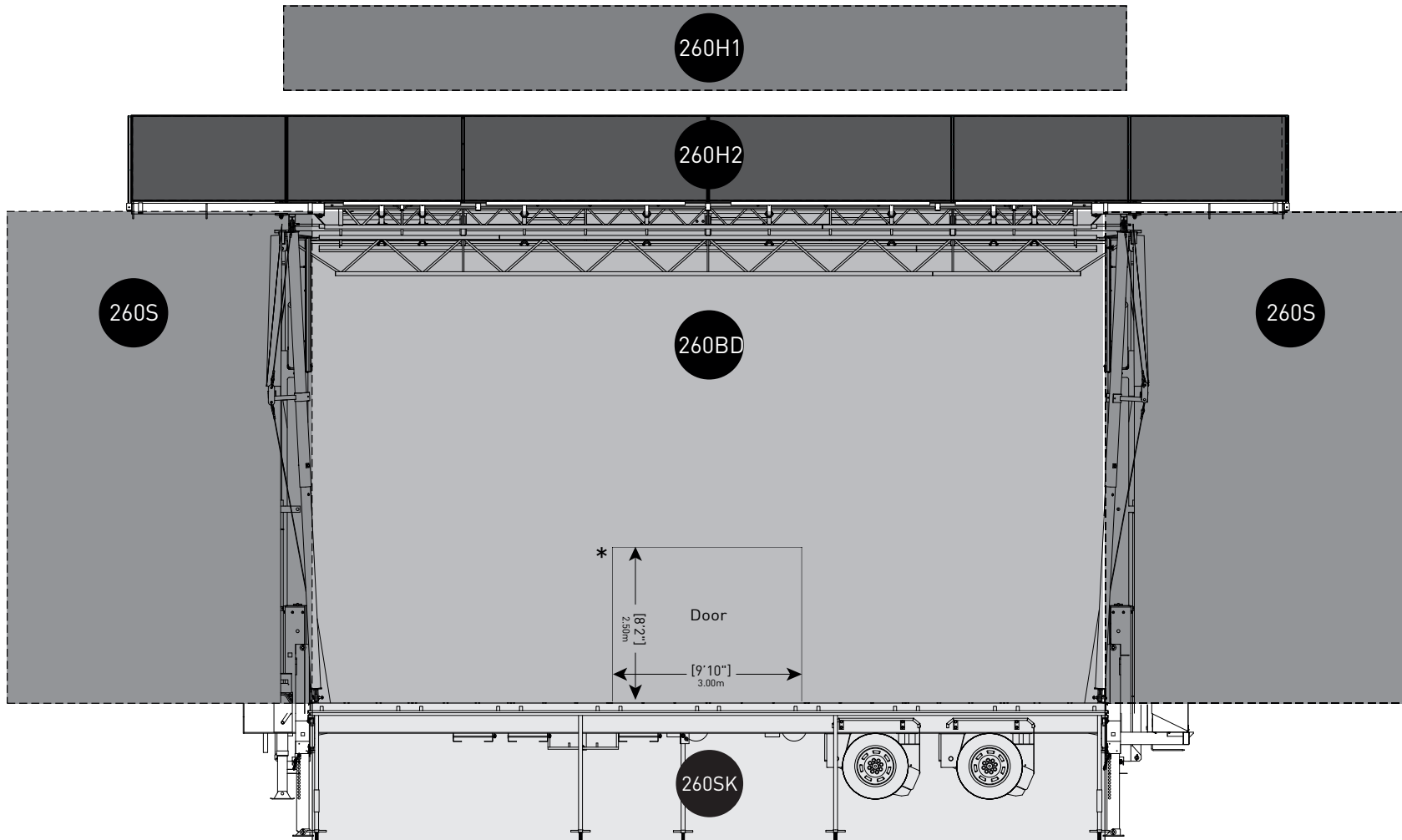




SL260
BANNERS & TRAILER
WRAP BOOK
2019

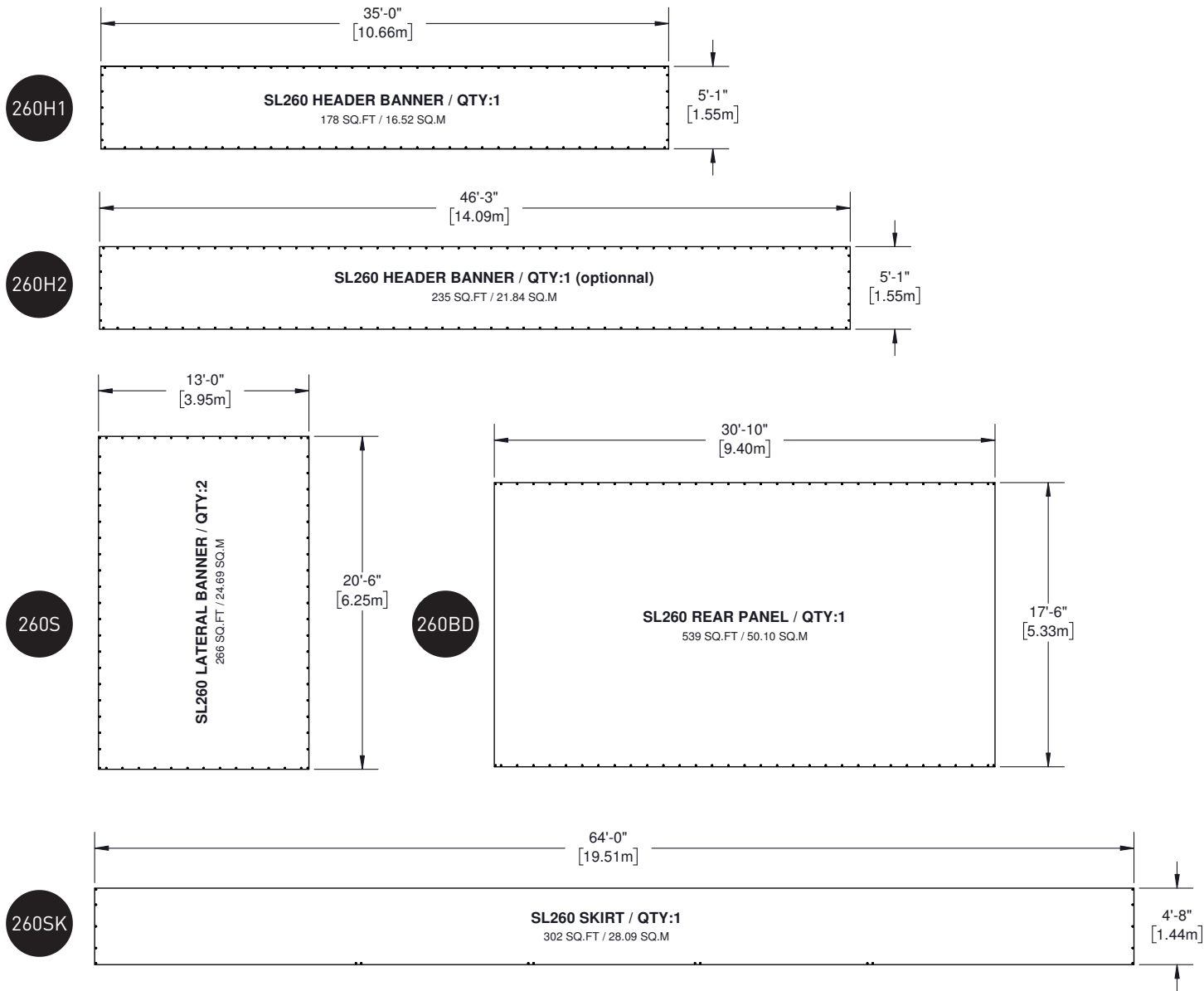


NOTES:

- Back doors will not be accessible if 260BD is installed against rear windwalls.
- Install either 260H1 or 260H2 when using the stage.

Drawings may show stage equipped with optional accessories. May be sold separately.

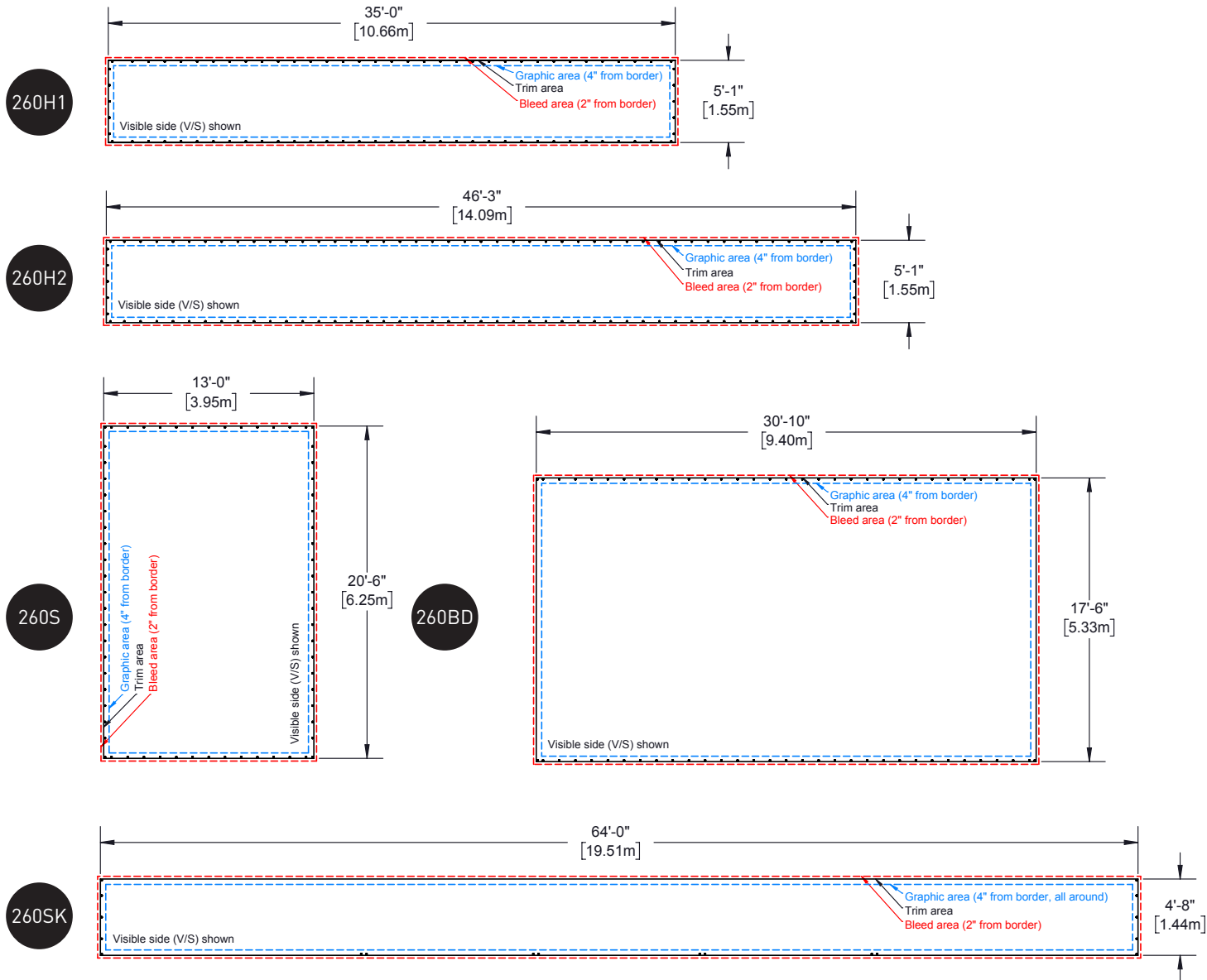
© 2019 - All rights reserved, Stageline Mobile Stage Inc. Any and all forms of adaptation or reproduction of this document including plans and drawings found herein, in whole or in part, are strictly forbidden without the written authorisation of Stageline Mobile Stage Inc. Technical specifications may change without notice. Stage specifications subject to change without notice. Figures are nominal.



*Applicable only for units #389 and up.

Drawings may show stage equipped with optional accessories. May be sold separately.

© 2019 - All rights reserved, Stageline Mobile Stage Inc. Any and all forms of adaptation or reproduction of this document including plans and drawings found herein, in whole or in part, are strictly forbidden without the written authorisation of Stageline Mobile Stage Inc. Technical specifications may change without notice. Stage specifications subject to change without notice. Figures are nominal.



*Applicable only for units #389 and up.

Drawings may show stage equipped with optional accessories. May be sold separately.

© 2019 - All rights reserved, Stageline Mobile Stage Inc. Any and all forms of adaptation or reproduction of this document including plans and drawings found herein, in whole or in part, are strictly forbidden without the written authorisation of Stageline Mobile Stage Inc. Technical specifications may change without notice. Stage specifications subject to change without notice. Figures are nominal.

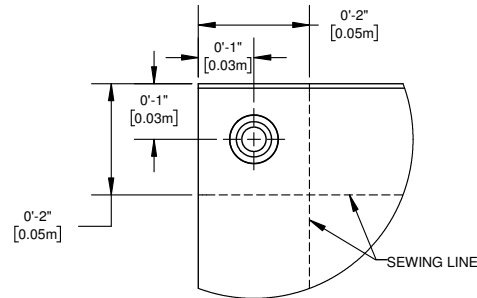
260H1 260H2 260S 260BD

REQUIREMENTS:

- PVC webbing must be all in one piece. Otherwise, reinforce so that no strain is applied to the banner.
- Areas where welds begin and end must be reinforced with additional stitching.
- Include 12"x12" trimmings of the same material to allow for possible minor repairs.
- Supply one (1) tarpaulin bag for transportation purposes and identify its content.

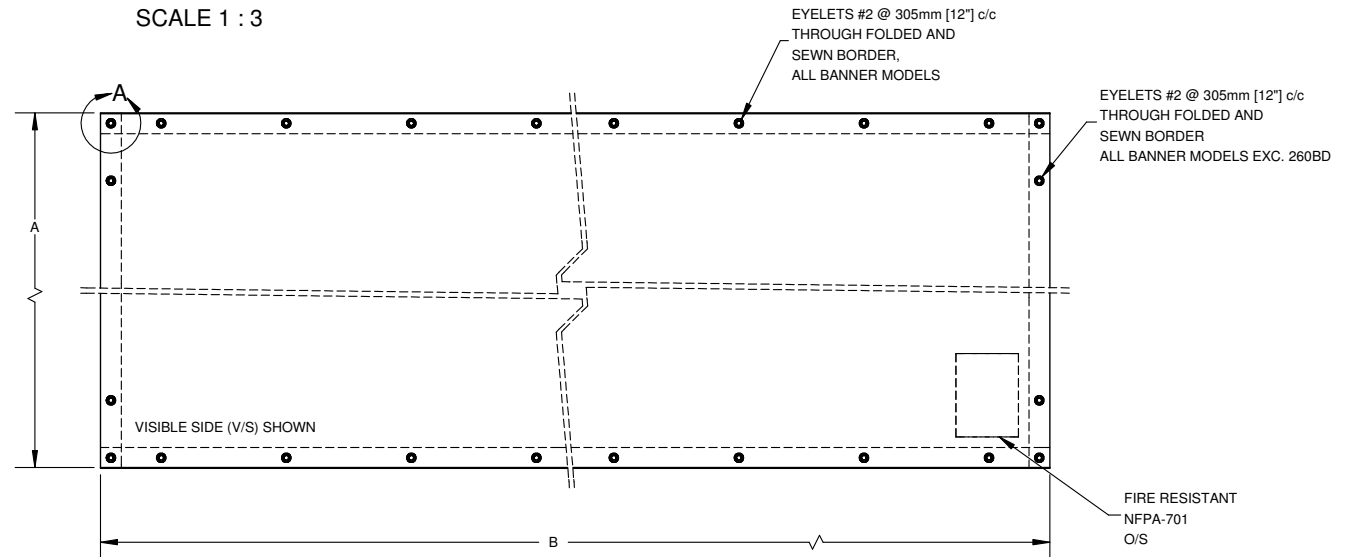
NOTES:

- "V/S" indicates the outside (visible side).
- "O/S" indicates the inside (opposite side).
- Notes on the drawing take precedence on those above.



DETAIL A
SCALE 1 : 3

	A	B
260H1	5'-1" (1.55m)	35'-0" (10.66m)
260H2	5'-1" (1.55m)	46'-3" (14.09m)
260S	2'-6" (6.25m)	13'-0" (3.95m)
260BD	17'-6" (5.33m)	30'-10" (9.40m)



*Applicable only for units #389 and up.

MATERIAL CHOICES: (must be NFPA 701 & CAN/ULC-S109 compliant):
70% Open Scrim/18oz Black Vinyl/Backlight Satin White Weave/Poly Flex White Knit

Drawings may show stage equipped with optional accessories. May be sold separately.

© 2019 - All rights reserved, Stageline Mobile Stage Inc. Any and all forms of adaptation or reproduction of this document including plans and drawings found herein, in whole or in part, are strictly forbidden without the written authorisation of Stageline Mobile Stage Inc. Technical specifications may change without notice. Stage specifications subject to change without notice. Figures are nominal.

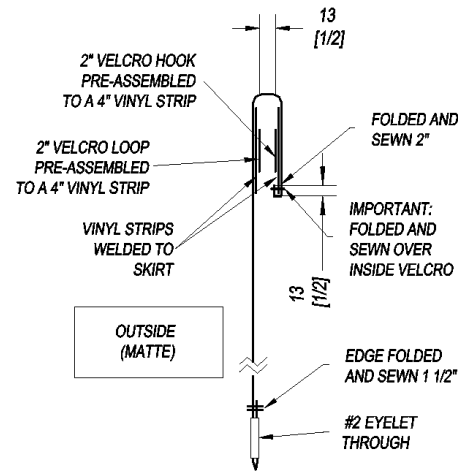
260SK

REQUIREMENTS:

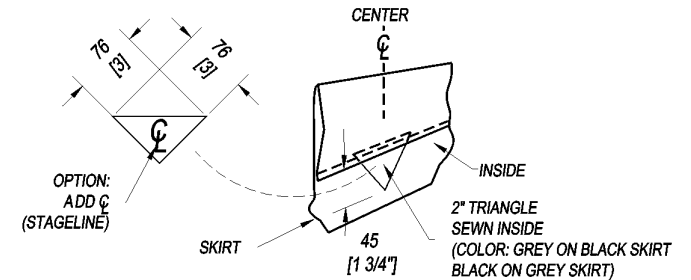
- PVC webbing must be all in one piece. Otherwise, reinforce so that no strain is applied to the banner.
- Areas where welds begin and end must be reinforced with additional stitching.
- Include 12"x12" trimmings of the same material to allow for possible minor repairs.
- Supply one (1) tarpaulin bag for transportation purposes and identify its content.

NOTES:

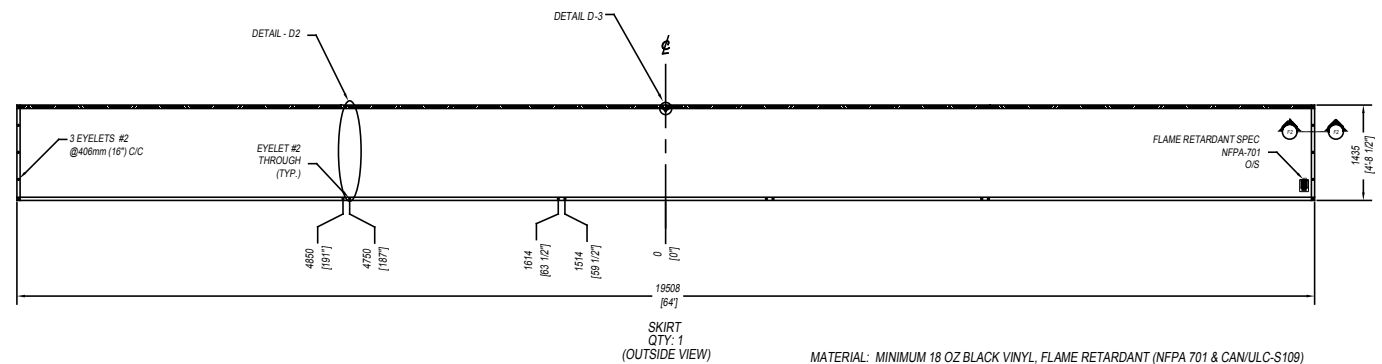
- "V/S" indicates the outside (visible side).
- "O/S" indicates the inside (opposite side).
- Notes on the drawing take precedence on those above.



DETAIL D2



DETAIL D3



SKIRT (outside view)

*Applicable only for units #389 and up.

MATERIAL CHOICES: (must be NFPA 701 & CAN/ULC-S109 compliant):

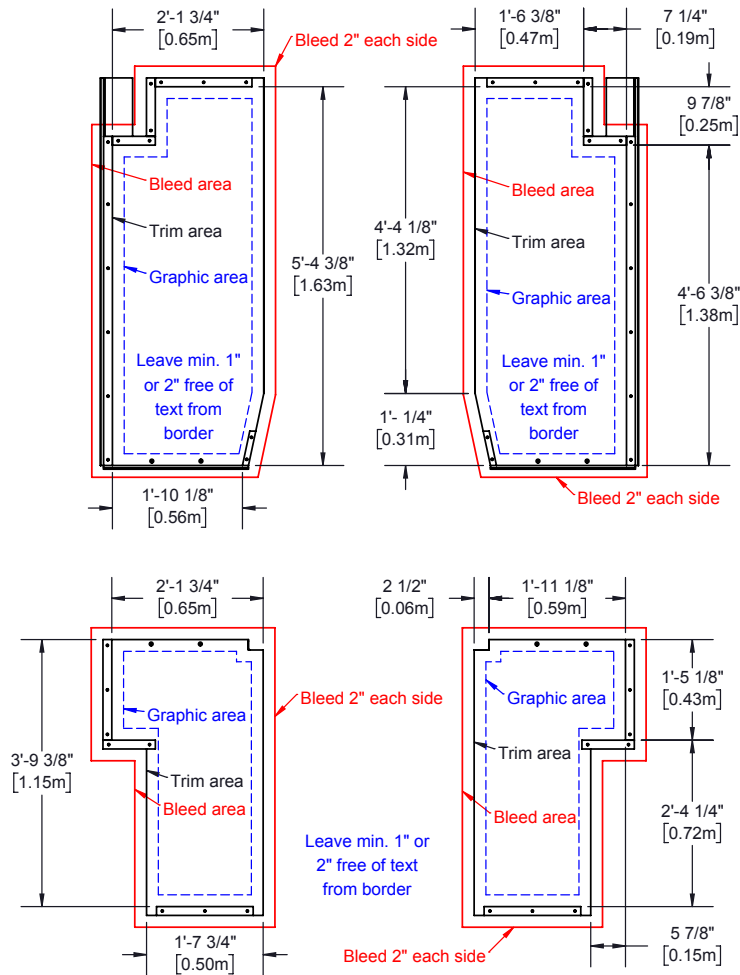
18oz Black Vinyl

CAUTION: Compatible with skirt extensions 100-7604 REV # 6 and up.

Drawings may show stage equipped with optional accessories. May be sold separately.

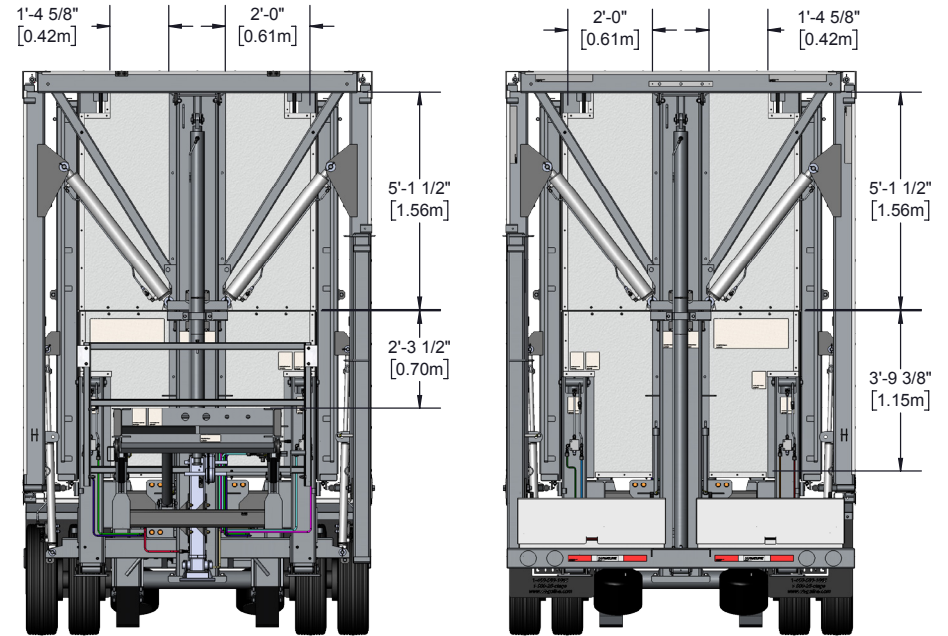
© 2019 - All rights reserved, Stageline Mobile Stage Inc. Any and all forms of adaptation or reproduction of this document including plans and drawings found herein, in whole or in part, are strictly forbidden without the written authorisation of Stageline Mobile Stage Inc. Technical specifications may change without notice. Stage specifications subject to change without notice. Figures are nominal.

Detailed printing area



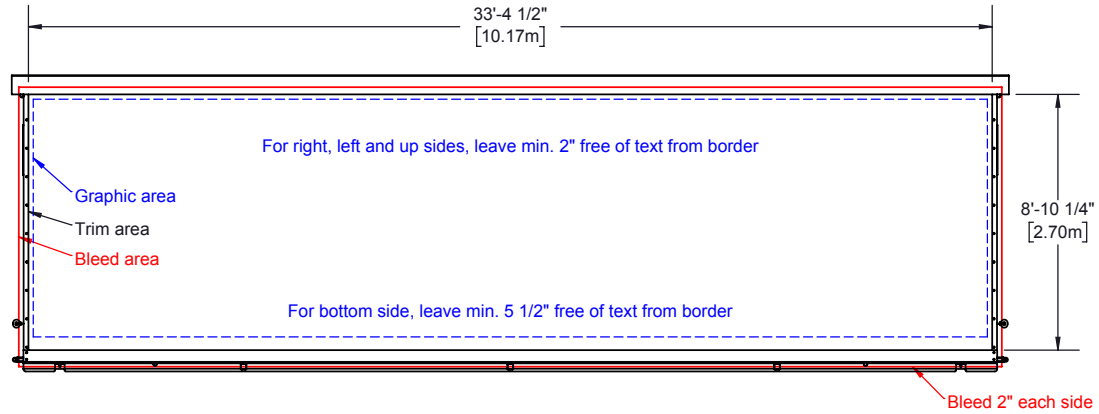
FRONT VIEW
REAR VIEW
SCALE 1:30

Representation on trailer

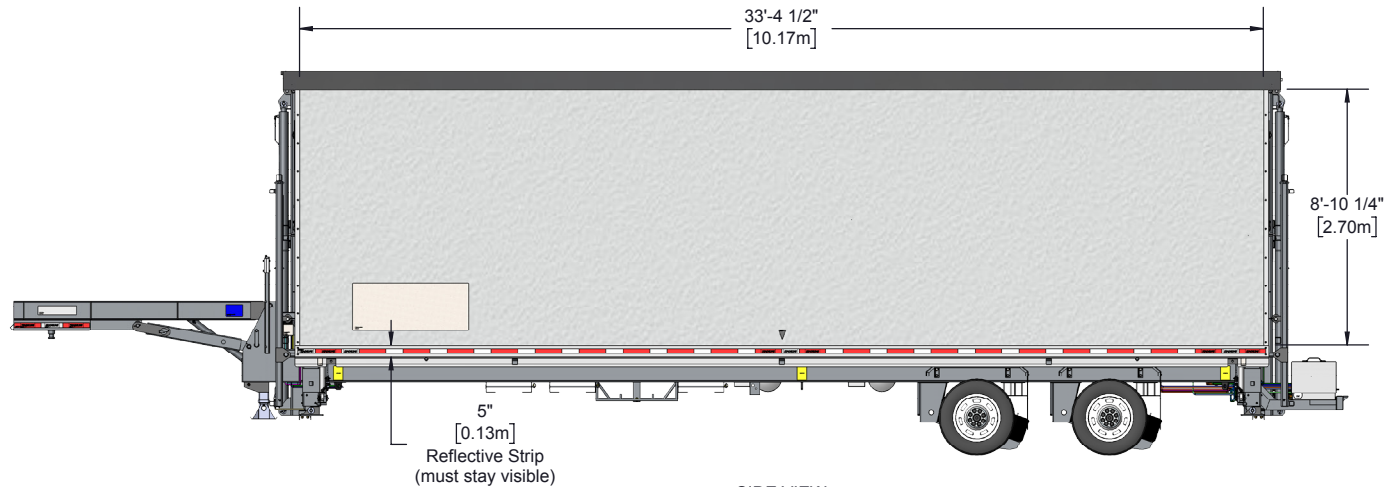


FRONT VIEW
SCALE 1:50

REAR VIEW
SCALE 1:50



SIDE PANEL
SCALE 1:75
QTY. 2



SIDE VIEW
SCALE 1:75

Drawings may show stage equipped with optional accessories. May be sold separately.

© 2019 - All rights reserved, Stageline Mobile Stage Inc. Any and all forms of adaptation or reproduction of this document including plans and drawings found herein, in whole or in part, are strictly forbidden without the written authorisation of Stageline Mobile Stage Inc. Technical specifications may change without notice. Stage specifications subject to change without notice. Figures are nominal.