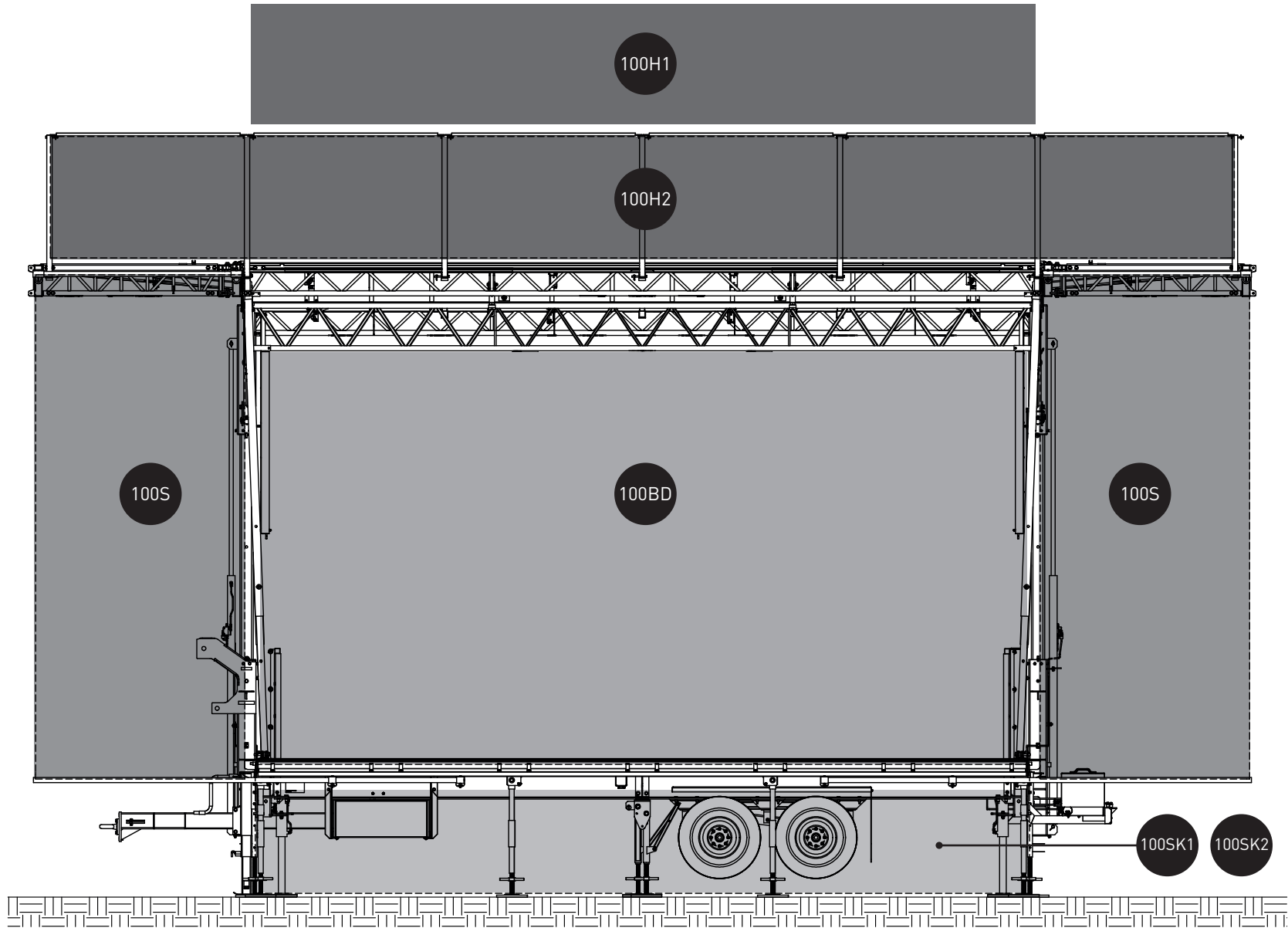


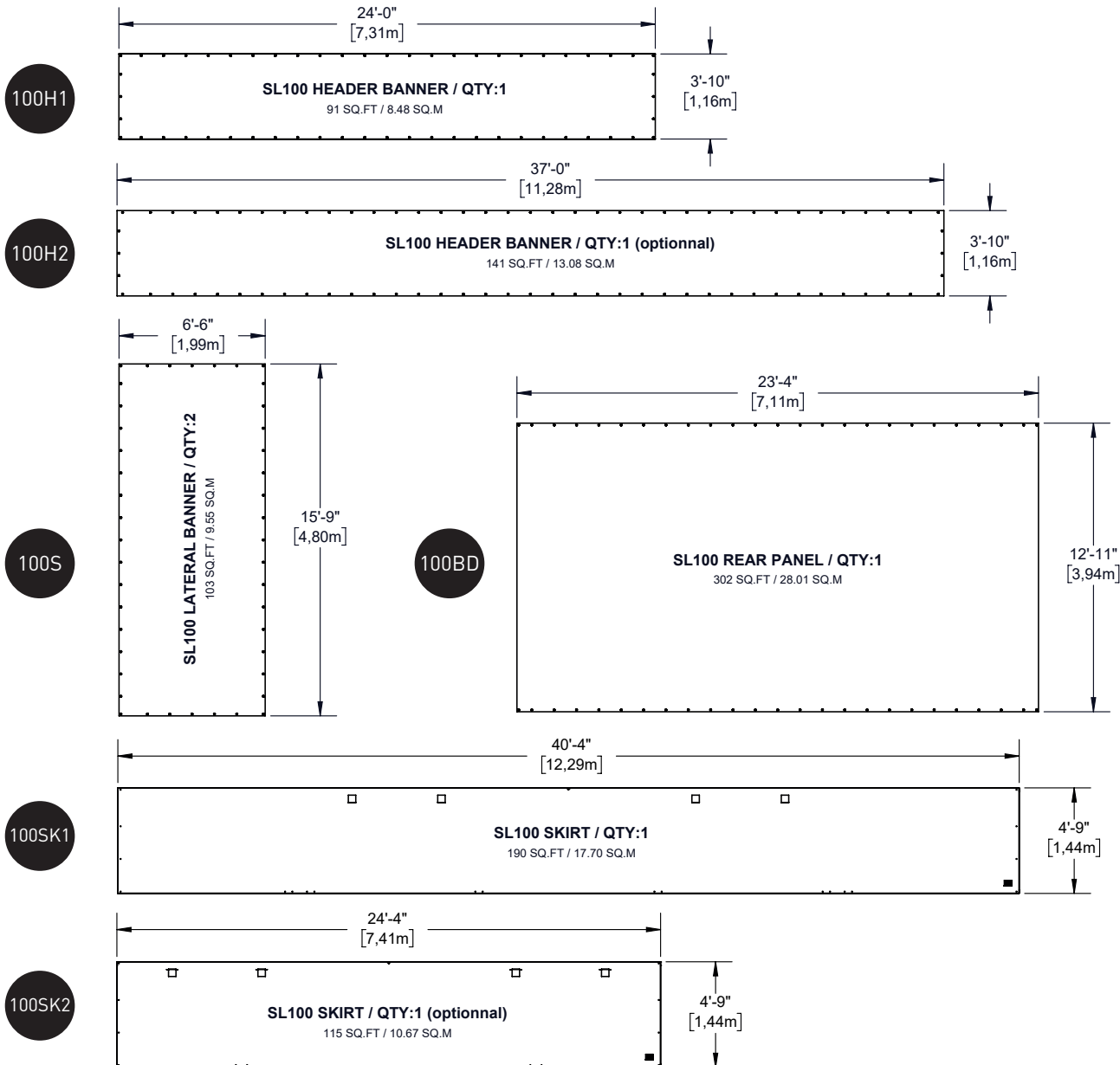


SL100
BANNERS & TRAILER
WRAP BOOK
2018



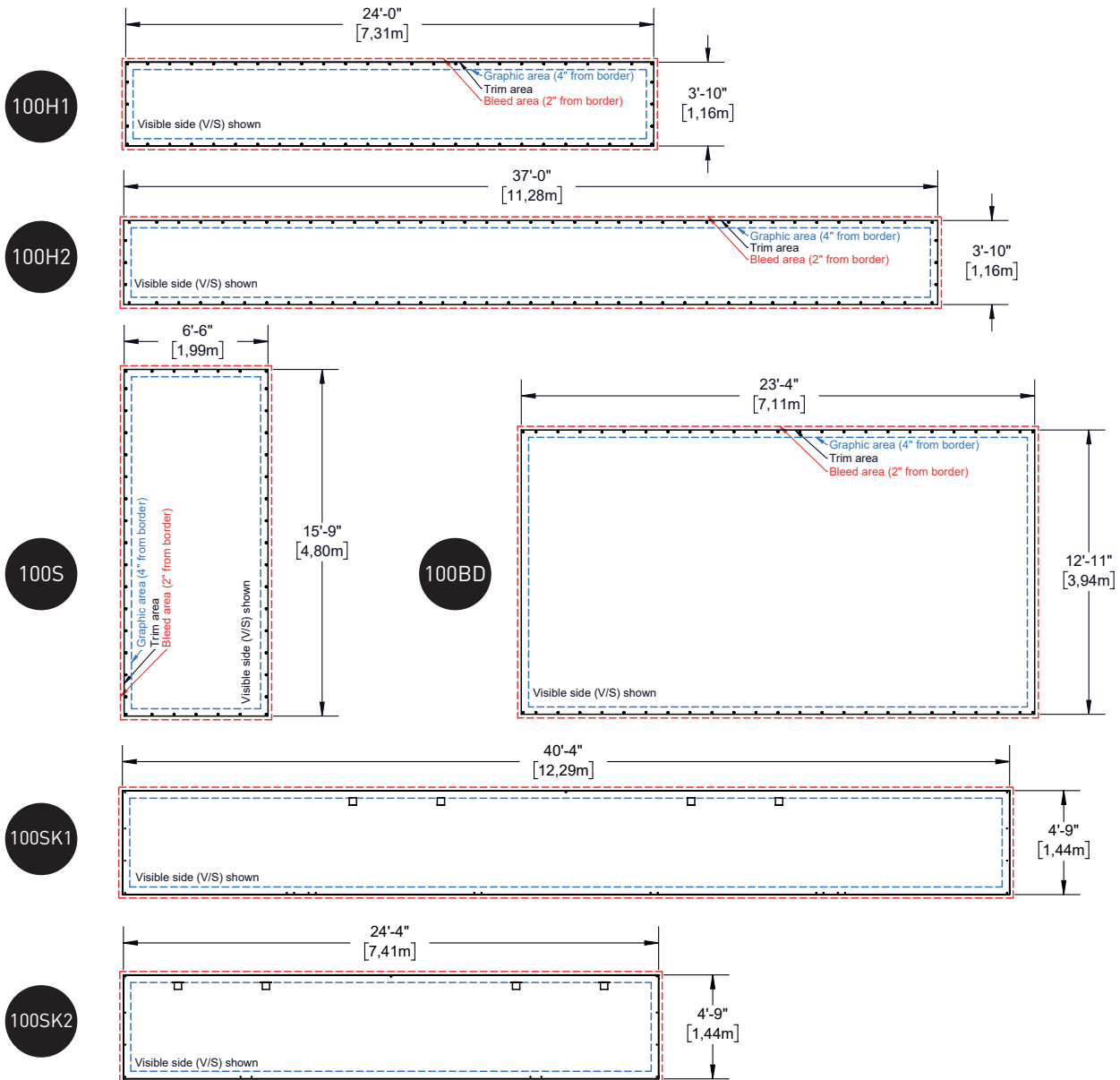
Drawings may show stage equipped with optional accessories. May be sold separately.

© 2018 - All rights reserved, Stageline Mobile Stage Inc. Any and all forms of adaptation or reproduction of this document including the plans and drawings found herein, in whole or in part, are strictly forbidden without the written authorisation of Stageline Mobile Stage Inc. Technical and stage specifications are subject to change without notice. Figures are nominal.



Drawings may show stage equipped with optional accessories. May be sold separately.

© 2018 - All rights reserved, Stageline Mobile Stage Inc. Any and all forms of adaptation or reproduction of this document including the plans and drawings found herein, in whole or in part, are strictly forbidden without the written authorisation of Stageline Mobile Stage Inc. Technical and stage specifications are subject to change without notice. Figures are nominal.



Drawings may show stage equipped with optional accessories. May be sold separately.

© 2018 - All rights reserved, Stageline Mobile Stage Inc. Any and all forms of adaptation or reproduction of this document including the plans and drawings found herein, in whole or in part, are strictly forbidden without the written authorisation of Stageline Mobile Stage Inc. Technical and stage specifications are subject to change without notice. Figures are nominal.

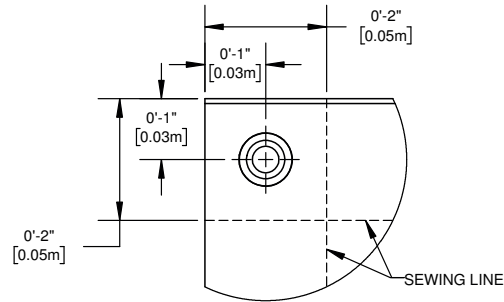
- 100H1
- 100H2
- 100S
- 100BD

REQUIREMENTS:

- PVC webbing must be all in one piece. Otherwise, reinforce so that no strain is applied to the banner.
- Areas where welds begin and end must be reinforced with additional stitching.
- Include 12"x12" trimmings of the same material to allow for possible minor repairs.
- Supply one (1) tarpaulin bag for transportation purposes and identify its content.

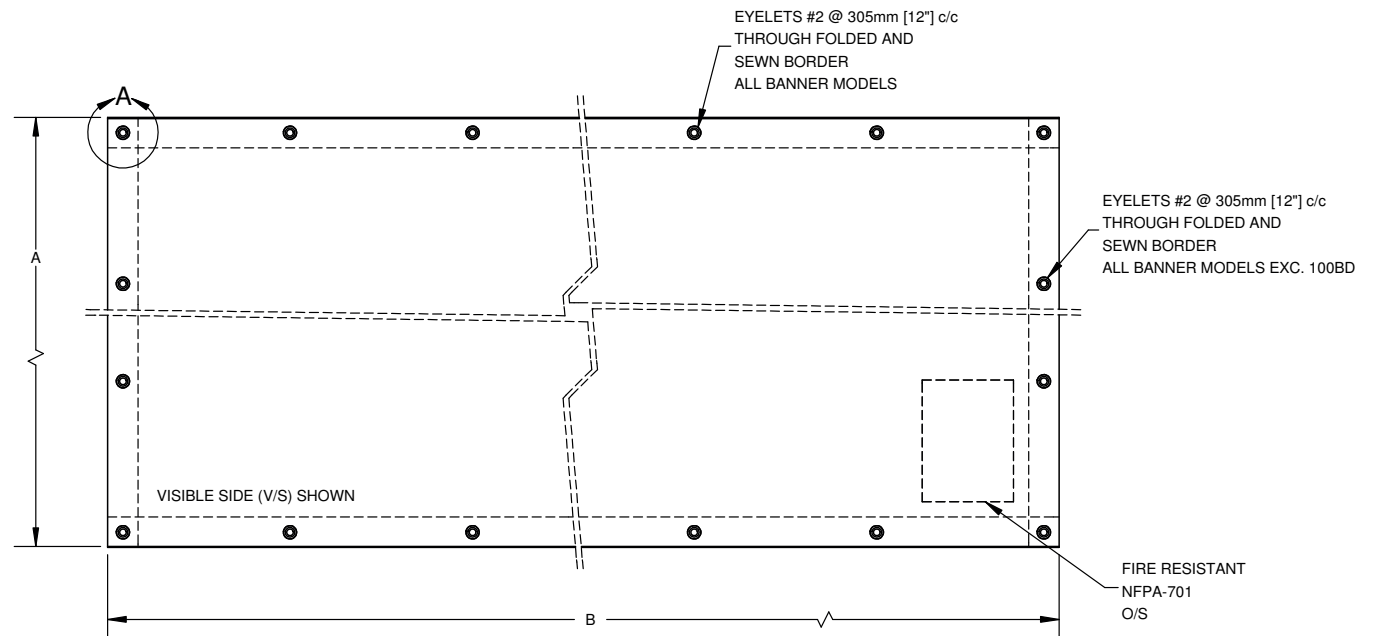
NOTES:

- "V/S" indicates the outside (visible side).
- "O/S" indicates the inside (opposite side).
- Notes on the drawing take precedence on those above.



DETAIL A
SCALE 1 : 3

	A	B
100H1	3'-10"	24'-0"
100H2	3'-10"	37'-0"
100S	15'-9"	6'-6"
100BD	12'-11"	23'-4"



MATERIAL CHOICES: (must be NFPA 701 & CAN/ULC-S109 compliant):
70% Open Scrim/18oz Grey Vinyl/Backlight Satin White Weave/Poly Flex White Knit

Drawings may show stage equipped with optional accessories. May be sold separately.

© 2018 - All rights reserved, Stageline Mobile Stage Inc. Any and all forms of adaptation or reproduction of this document including the plans and drawings found herein, in whole or in part, are strictly forbidden without the written authorisation of Stageline Mobile Stage Inc. Technical and stage specifications are subject to change without notice. Figures are nominal.

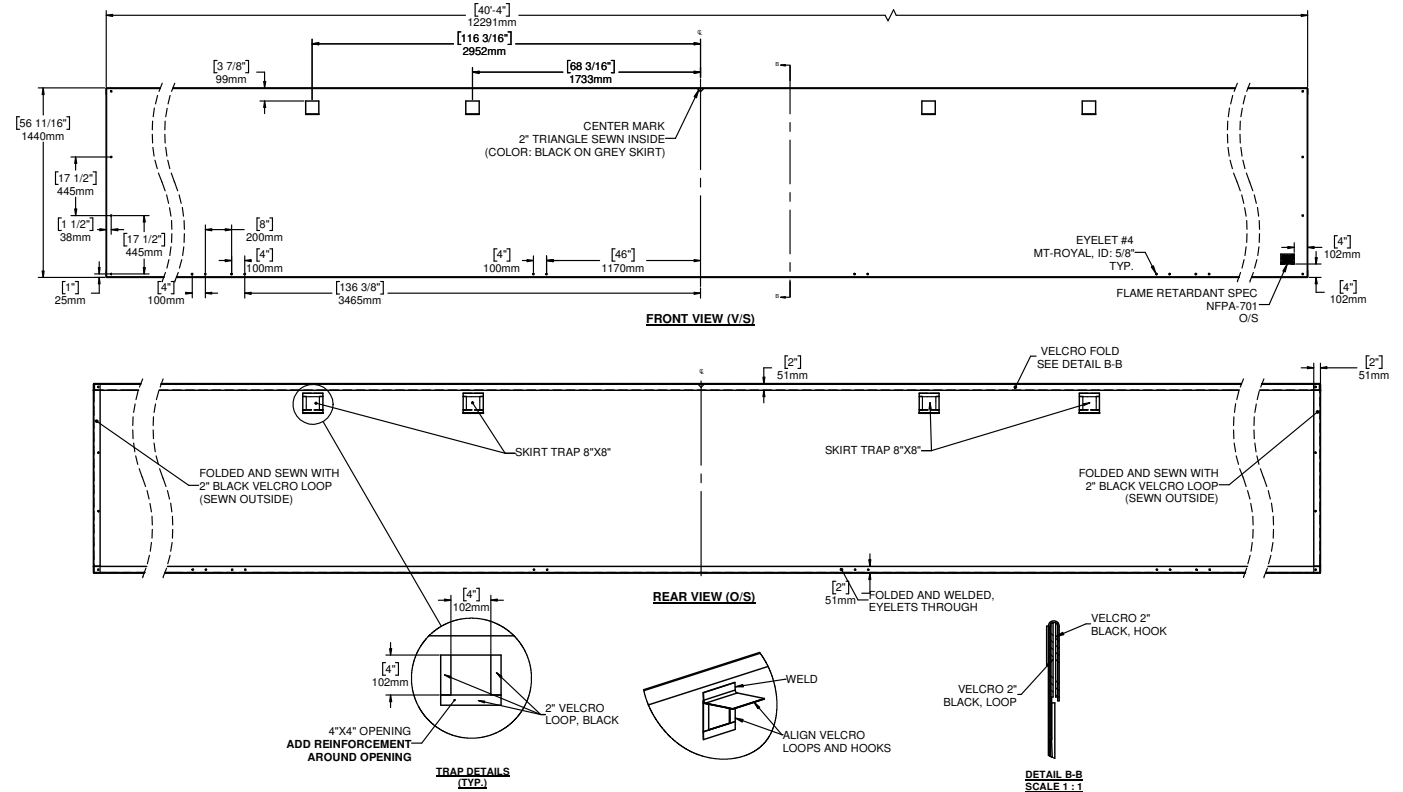
100SK1

REQUIREMENTS:

- PVC webbing must be all in one piece. Otherwise, reinforce so that no strain is applied to the banner.
- Areas where welds begin and end must be reinforced with additional stitching.
- All welds and stitches must be continuous and uniform.
- Color match all threads with the vinyl.
- All components must be the same color as the vinyl. If this cannot be done, please contact the purchase agent.
- Include 12"x12" trimmings of the same material to allow for possible minor repairs.
- Supply one (1) tarpaulin bag for transportation purposes and identify its content.

NOTES:

- "V/S" indicates the outside (visible side).
- "O/S" indicates the inside (opposite side).
- Notes on the drawing take precedence on those above.



MATERIAL CHOICES: (must be NFPA 701 & CAN/ULC-S109 compliant):

18oz Grey Vinyl

Drawings may show stage equipped with optional accessories. May be sold separately.

© 2018 - All rights reserved, Stageline Mobile Stage Inc. Any and all forms of adaptation or reproduction of this document including the plans and drawings found herein, in whole or in part, are strictly forbidden without the written authorisation of Stageline Mobile Stage Inc. Technical and stage specifications are subject to change without notice. Figures are nominal.

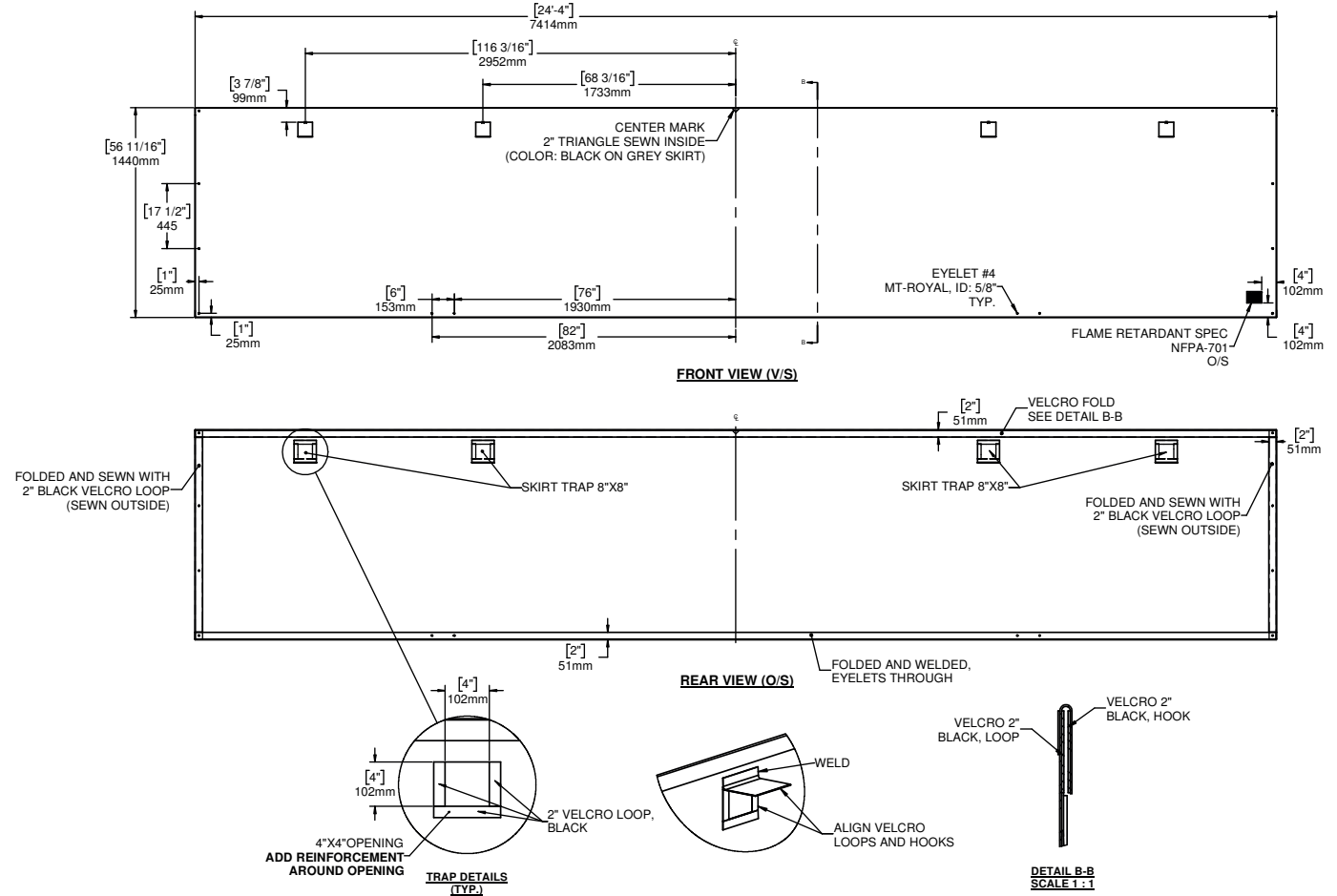
100SK2

REQUIREMENTS:

- PVC webbing must be all in one piece. Otherwise, reinforce so that no strain is applied to the banner.
- Areas where welds begin and end must be reinforced with additional stitching.
- All welds and stitches must be continuous and uniform.
- Color match all threads with the vinyl.
- All components must be the same color as the vinyl. If this cannot be done, please contact the purchase agent.
- Include 12"x12" trimmings of the same material to allow for possible minor repairs.
- Supply one (1) tarpaulin bag for transportation purposes and identify its content.

NOTES:

- "V/S" indicates the outside (visible side).
- "O/S" indicates the inside (opposite side).
- Notes on the drawing take precedence on those above.



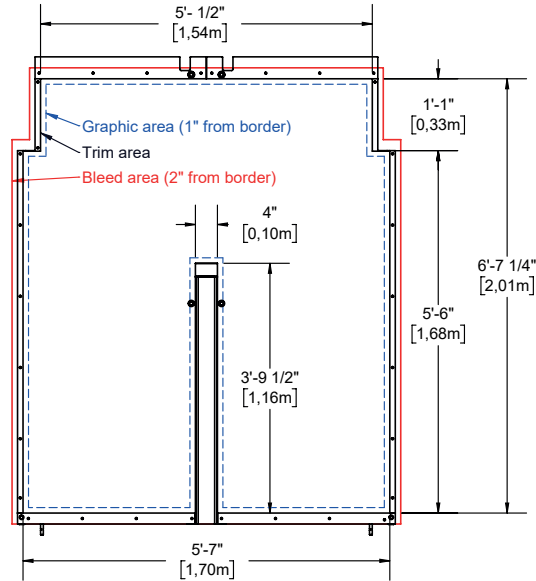
MATERIAL CHOICES: (must be NFPA 701 & CAN/ULC-S109 compliant):

18oz Grey Vinyl

Drawings may show stage equipped with optional accessories. May be sold separately.

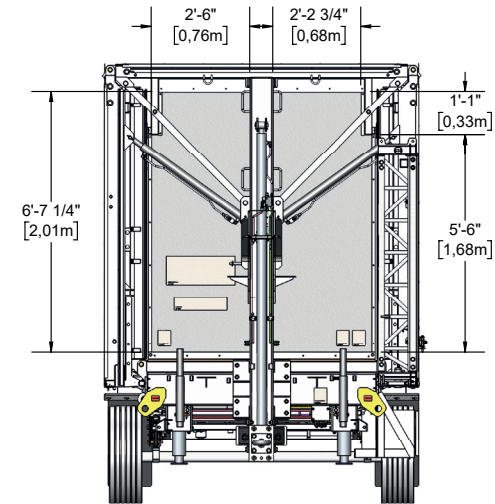
© 2018 - All rights reserved, Stageline Mobile Stage Inc. Any and all forms of adaptation or reproduction of this document including the plans and drawings found herein, in whole or in part, are strictly forbidden without the written authorisation of Stageline Mobile Stage Inc. Technical and stage specifications are subject to change without notice. Figures are nominal.

Detailed printing area

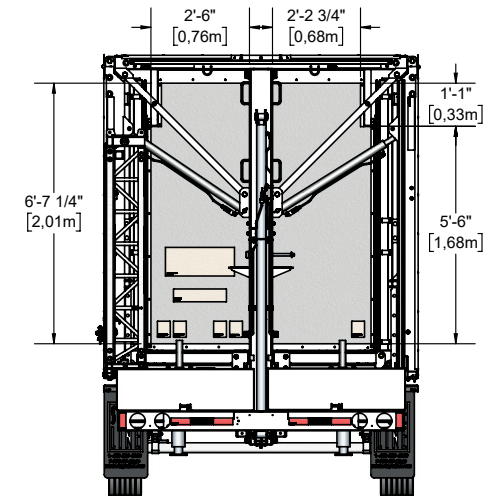


FRONT VIEW
REAR VIEW
SCALE 1:30

Representation on trailer



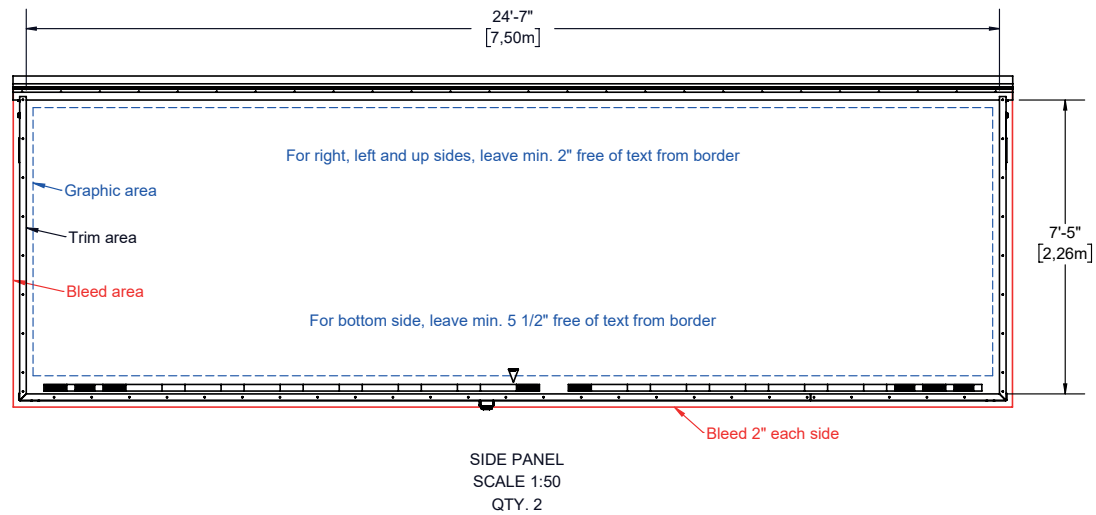
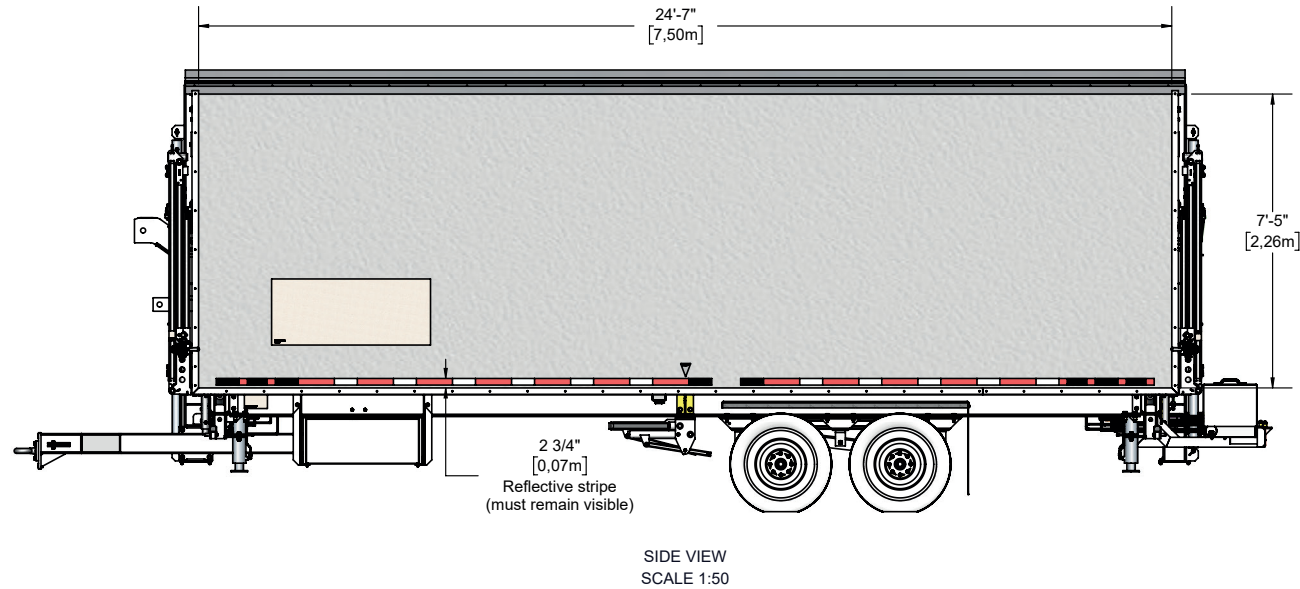
FRONT VIEW
SCALE 1:50



REAR VIEW
SCALE 1:50

Drawings may show stage equipped with optional accessories. May be sold separately.

© 2018 - All rights reserved, Stageline Mobile Stage Inc. Any and all forms of adaptation or reproduction of this document including the plans and drawings found herein, in whole or in part, are strictly forbidden without the written authorisation of Stageline Mobile Stage Inc. Technical and stage specifications are subject to change without notice. Figures are nominal.



Drawings may show stage equipped with optional accessories. May be sold separately.

© 2018 - All rights reserved, Stageline Mobile Stage Inc. Any and all forms of adaptation or reproduction of this document including the plans and drawings found herein, in whole or in part, are strictly forbidden without the written authorisation of Stageline Mobile Stage Inc. Technical and stage specifications are subject to change without notice. Figures are nominal.